

USN

--	--	--	--	--	--	--	--

15ME36A/46A

## Third Semester B.E. Degree Examination (MECHANICAL) COMPUTER AIDED MACHINE DRAWING

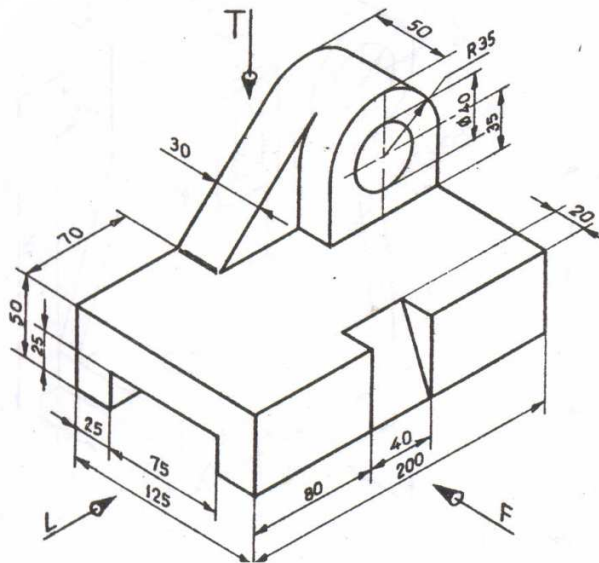
**Time: 3 Hours**

**Max. Marks: 80**

- Note:** 1. Answer any ONE question from each of the parts A, B and C.  
 2. Use **FIRST ANGLE** projection only.  
 3. Missing data if any may suitably be assumed.  
 4. All the calculations should be on answer sheet supplied.  
 5. All the dimensions are in mm.  
 6. **Part C Assembled View should be in 3D and other 2 views in 2D.**

### PART A

1. Using First Angle Projection, Draw the Orthographic Views of the object shown in fig below.



**15Marks**

2. Draw the following profiles of pitch 50mm.

- i. Square thread
- ii. ISO thread

**15Marks**

### PART B

3. Draw the following views an assembled Knuckle Joint to 1:1 scale assuming the diameter of the shaft  $d = 20\text{mm}$ .

- i. Front view with top half in section
- ii. Top view

**15 Marks**

4. Draw sectional Front View & Side View of a Protected Type Flange Coupling to connect two shafts of diameter 30mm. Indicate the dimensions. **15 Marks**

### **PART C**

5. Figure 1 shows the details of 'TAIL STOCK'. Assemble the parts and draw the following views of the assembly.

- i. Sectional Front View
- ii. Top View

**50 Marks**

6. Details of 'MACHINE VICE' are shown in following Figure 2. Assemble the parts and draw the following views of the assembly.

- i. Sectional Front view
- ii. Top view

**50 Marks**



