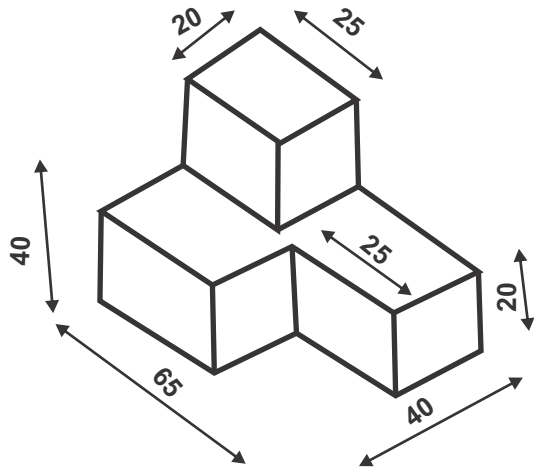


Q.7 Draw the front view plan and side view of the following object shown in fig "A"



No. of Printed Pages : 4
Roll No.

90232-LE

3rd Sem. / Arch. Asstt. (Det.L)

Subject : Basics of Architectural Drawing

Time : 3 Hrs.

M.M. : 100

SECTION-A

Note: Very Short Answer type questions. Attempt any 10 parts. (10x4=40)

- Q.1
- a) What is R.F.?
 - b) What is roman lettering.
 - c) What do you understand by single stroke and double stroke of a lettering ?
 - d) Why guide lines are necessary in a lettering ?
 - e) What is the aim of dimensioning ?
 - f) What is dimension line and extension line?

(140)

(4)

90232-LE

(1)

90232-LE

- g) What are increasing scale ?
- h) What is diagonal scale ?
- i) What is the difference between regular and irregular polygons ?
- j) What do you mean by spacing of views ?
- k) What do you mean by isometric projections ?
- l) What is a solid ?

SECTION-B

Note: Short answer type questions. Attempt any two parts 2x15=30

- Q.2 Construct a plain scale to show meters and decimeters when one meter is represented by 2.5 centimeters and long enough to measure upto 6 meters.

(2)

90232-LE

- Q.3 Write the following sentences in single stroke vertical letters in 7:4 ratio.

"UNION IN STRENGTH"

- Q.4 Draw the plan and elevation of the following objects.
- a) A square prism of base 40mm and Ht 50 mm
 - b) A cone of base 50 mm and Ht 60 mm.

SECTION-C

Note: Long answer type questions. Attempt any two questions. 2x15=30

- Q.5 Draw the projections of a square prism of bases edges 30mm and axis 50mm, resting on its base on H.P with one of its base edges parallel to V.P and axis perpendicular to H.P.
- Q.6 A line AB 50mm Long makes an angle of 45° to the VP. The end A is 15mm from the V.P and 12mm from the H.P. Draw the top view and front view of the line A.B

(3)

90232-LE