

MLR INSTITUTE OF TECHNOLOGY

(An Autonomous Institution)

B.Tech. I Year II Sem Examinations, June-2016

ADVANCED ENGINEERING GRAPHICS

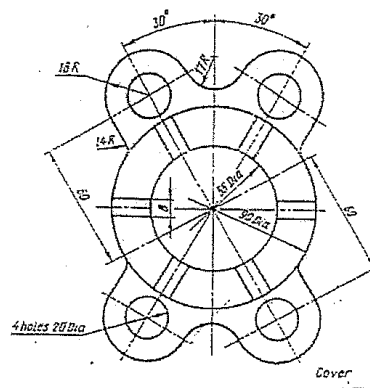
(MECH)

Time: 3 Hours

Max. Marks: 75

1. Draw the given figure using Auto CAD software and dimension it.

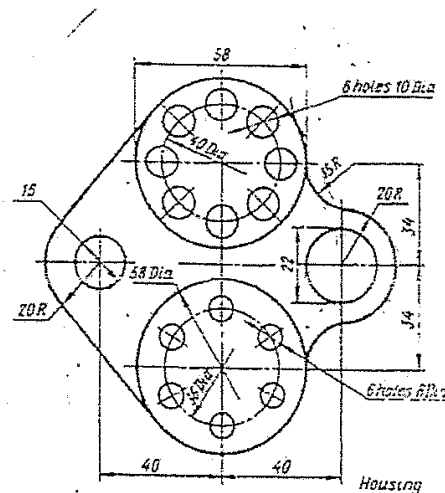
15M



(OR)

2. Draw the given figure using Auto CAD software and dimension it.

15M



3. A cone of diameter 48 mm and height 60 mm is resting with its base on H.P. The top portion is removed by a horizontal plane passing through a point which is 24 mm below the apex of the cone. The bottom portion is removed by a plane inclined at 30° to the H.P. and passing through an extreme right of the base. Draw the development of the remaining portion of the cone.

15M

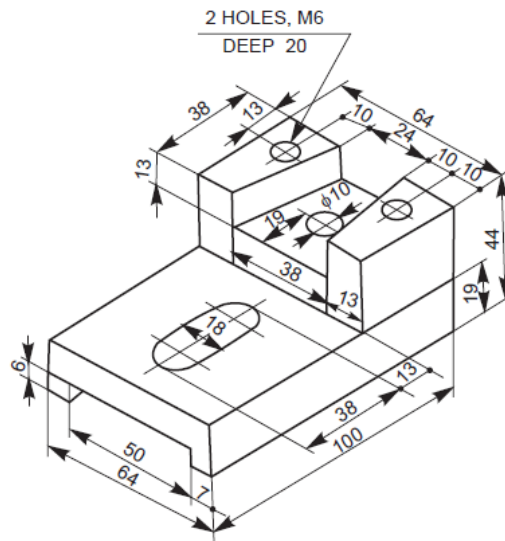
(OR)

4. A horizontal cylinder of 50 mm diameter penetrates into a vertical cylinder of 80 mm diameter resting on H.P. The two axes are coplanar. The axis of horizontal cylinder is 60 mm above the H.P. Draw the projection showing the curve of intersection. Take the axis of both horizontal and vertical cylinders are 120mm

15M

5. Draw the orthographic projections of the given figure.

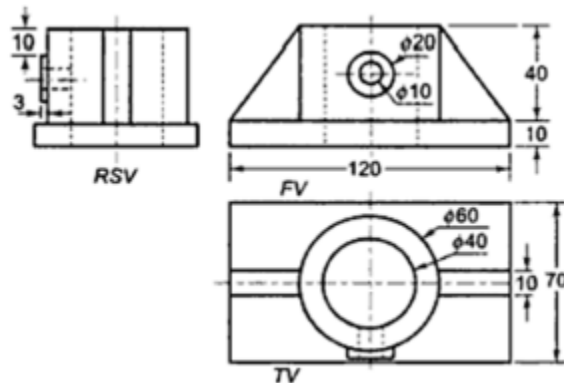
15M



(OR)

6. Draw the isometric view from the orthographic projection.

15M



7. A) Explain chamfer, fillet and mirror with neat sketches. **9M**
B) Explain array and types of array with a suitable example. **6M**
(OR)
8. A) Explain SOLVIEW and SOLDRAW. **6M**
B) Explain Extrude, Revolve and Presspull in creating solid models. **9M**
9. Explain CAD data exchange formats and their importance. **15M**
(OR)
10. A) Explain how animation can be created in AUTO CAD. **6M**
B) Explain briefly about rendering objects in AUTO CAD. **9M**

