

Sl. No. : NNN

ಒಟ್ಟು ಪ್ರಶ್ನೆಗಳ ಸಂಖ್ಯೆ : 5 ]

**CCE RF**

[ ಒಟ್ಟು ಮುದ್ರಿತ ಪುಟಗಳ ಸಂಖ್ಯೆ : 8

Total No. of Questions : 5 ]

[ Total No. of Printed Pages : 8

ಸಂಕೇತ ಸಂಖ್ಯೆ : **72**

**Code No. : 72**

ಇಲ್ಲಿಂದ ಕತ್ತರಿಸಿ

ವಿಷಯ : ಇಂಜಿನಿಯರಿಂಗ್ ಡ್ರಾಯಿಂಗ್

**Subject : ENGINEERING DRAWING**

( ಹೊಸ ಪಠ್ಯಕ್ರಮ / New Syllabus )

( ಶಾಲಾ ಅಭ್ಯರ್ಥಿ / Regular Fresh )

ದಿನಾಂಕ : 01. 04. 2017 ]

[ Date : 01. 04. 2017

ಸಮಯ : ಮಧ್ಯಾಹ್ನ-2-00 ರಿಂದ 5-15 ರವರೆಗೆ ] [ Time : 2-00 P.M. to 5-15 P.M.

ಪರಮಾವಧಿ ಅಂಕಗಳು : 50 ]

[ Max. Marks : 50

**General Instructions to the Candidate :**

1. This Question Paper consists of 5 objective and subjective types of questions.
2. This question paper has been sealed by reverse jacket. You have to cut on the right side to open the paper at the time of commencement of the examination. Check whether all the pages of the question paper are intact.
3. Follow the instructions given against both the objective and subjective types of questions.
4. Figures in the right hand margin indicate maximum marks.
5. The maximum time to answer the paper is given at the top of the question paper. It includes 15 minutes for reading the question paper.

TEAR HERE TO OPEN THE QUESTION PAPER

ಪ್ರಶ್ನೆ ಪತ್ರವನ್ನು ತೆರೆದಿ ಕತ್ತರಿಸಿ

Tear here

**RF-0E1012**

[ Turn over

- Instructions :*
- i) Answer *all* the questions.
  - ii) Retain the constructional details.
  - iii) All dimensions are in mm.
  - iv) Use first angle projection only.
  - v) Missing dimensions may be assumed.
  - vi) All drawings should be drawn in drawing sheet only.

1. a) Fill in the blanks with the correct figure/word(s) by selecting from the choices given in the brackets : 5 × 1 = 5

i) Hidden lines are drawn as .....

( *dashed narrow line, dashed wide line, long dashed-dotted narrow line* )

ii) The unit of R.F. is .....

( *centimetre, metre, no unit* )

iii) The front view of an object projected on the .....

( *horizontal plane, profile plane, vertical plane* )

- iv) When a right circular cone is cut by a plane passing through apex the curve obtained is .....

( *circle, ellipse, triangle* )

- v) Knuckle threads are used in .....

( *electrical bulbs, bench vice, lead screw of a lathe* )

- b) Match the following :

5 × 1 = 5

**Group A**

**Group B**

- |              |   |
|--------------|---|
| i) Addendum  | a) innermost part of a thread                         |
| ii) Dedendum | b) outermost part of a thread                         |
| iii) Crest   | c) distance between creast and root                   |
| iv) Root     | d) measured parallel to the axis of the thread        |
| v) Pitch     | e) radial height of the tooth above the pitch circle  |
|              | f) radial height of the tooth below the pitch circle. |

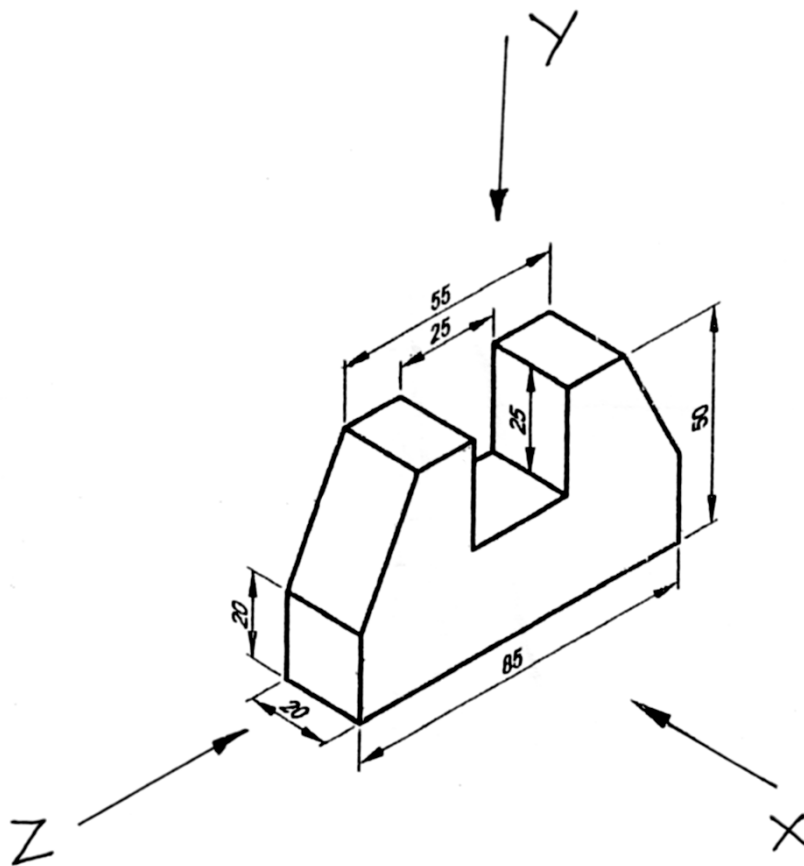
2. a) Print the following in single stroke vertical capital letters of height 18 mm with 6 : 5 ratio. 5

'CLUTCHES'

- b) A length of 2 decimetre is represented by 5 centimetre. Find the R.F. and construct a plain scale to measure up to 8 decimetre. 5
3. a) Plot an ellipse having major axis 130 mm and the focal points 100 mm apart by intersecting arc method. 5
- b) Draw a hyperbola when half the transverse axis is 90 mm, the abscissa is 60 mm and double ordinate is 150 mm. 5
4. a) Draw the basic types of lines recommended by bureau of Indian standards. 3

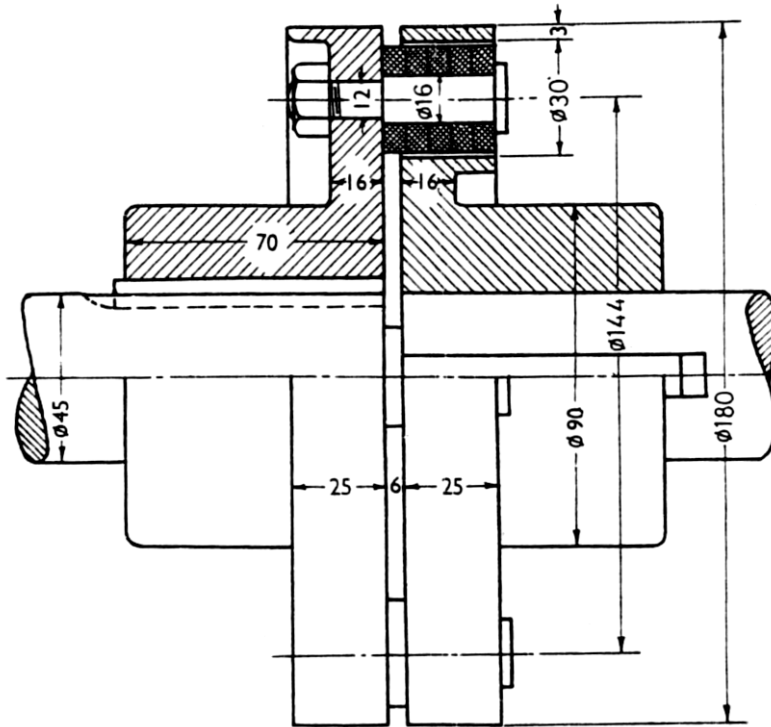
b) The pictorial view of an object is shown in Figure No. 1. Draw the following orthographic views and mark the dimensions :

- (i) Front view — Looking in the direction of arrow 'X'
- (ii) Top view — Looking in the direction of arrow 'Y'
- (iii) Side view — Looking in the direction of arrow 'Z'.



**Figure No. 1**

5. Figure No. 2 shows the sectional elevation of a flexible coupling. Draw the sectional elevation of a flexible coupling in full size ( 1 : 1 size ). 10



**FLEXIBLE COUPLING**

**Figure No. 2**



